



# TORO800

Main features:

Fan less design

IP66

Integrated or external charging indicator

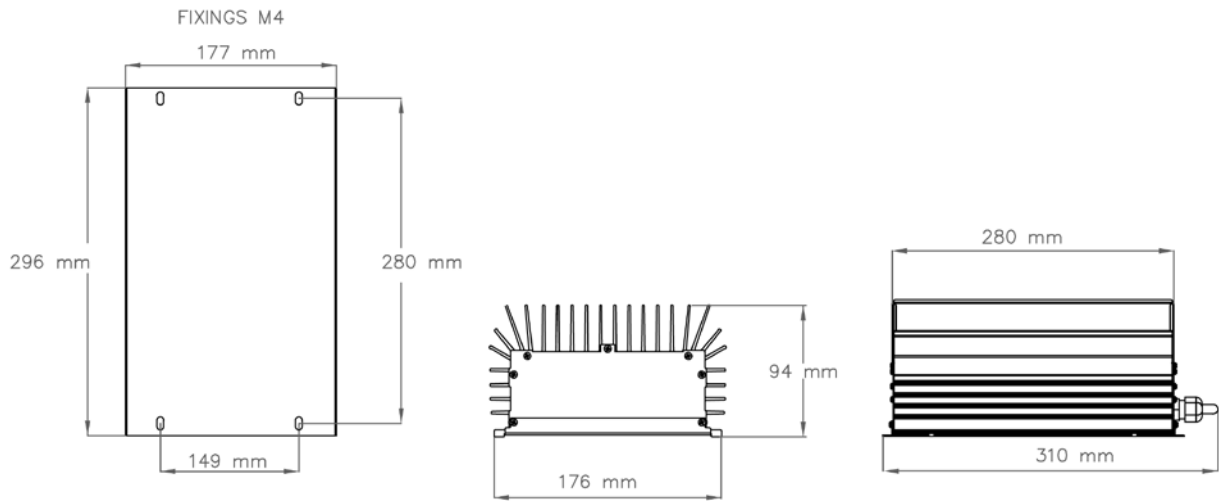
Power from 325W up to 650W

Current from 13,5A to 27A

Available in 12V, 24V, 36V or 48V

## APPLICATIONS





DIMENSIONS (LxWxH): 296x94x149mm – 11.65x3.70x5.86 in

WEIGHT: 3,60 Kg - 79.37 lbs

PROTECTION GRADE IP66

INPUT VOLTAGE: Universal 100 ÷ 240 Vac – 50-60 Hz

Battery Voltage	Battery Range		Charging Current	Model
	5h	20h		
12	190 ÷ 230 Ah	238 ÷ 288 Ah	27A	12-27
24	190 ÷ 230 Ah	238 ÷ 288 Ah	27A	24-27
36	125 ÷ 155 Ah	157 ÷ 194 Ah	18A	36-18
48	95 ÷ 115 Ah	118 ÷ 144 Ah	13,5A	48-13,5