



TORO1200

Main features:

IP65 external ventilator

Integrated or external charging indicator

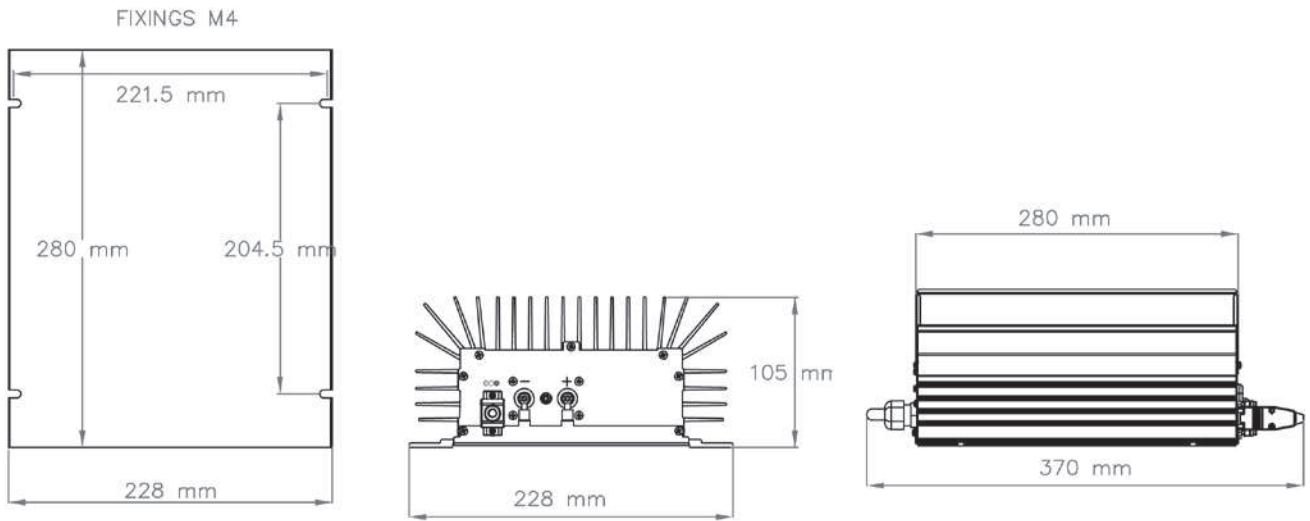
Power from 720W up to 1200W

Current from 30A to 50A

Available in 12V, 24V, 36V or 48V

APPLICATIONS





DIMENSIONS (LxWxH): 280x105x228mm – 11.02x4.13x8.98 in

WEIGHT: 5,50 Kg - 12.13 lbs

PROTECTION GRADE IP65

INPUT VOLTAGE: Universal 100 ÷ 240 Vac – 50-60 Hz

Battery Voltage	Battery Range		Charging Current	Model
	5h	20h		
12	350 ÷ 420 Ah	420 ÷ 540 Ah	50A	12-50
24	350 ÷ 420 Ah	420 ÷ 540 Ah	50A	24-50
36	255 ÷ 320 Ah	310 ÷ 390 Ah	35A	36-30
48	175 ÷ 210 Ah	210 ÷ 270 Ah	25A	48-25