



CBSW1-S

Main features:

Power from 48W up to 290W

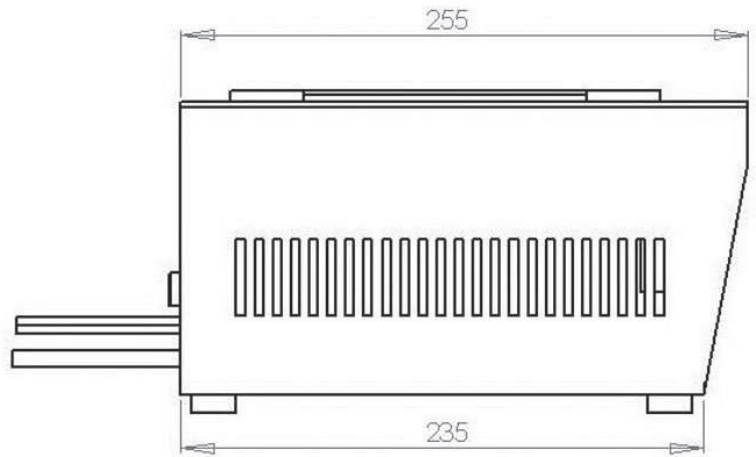
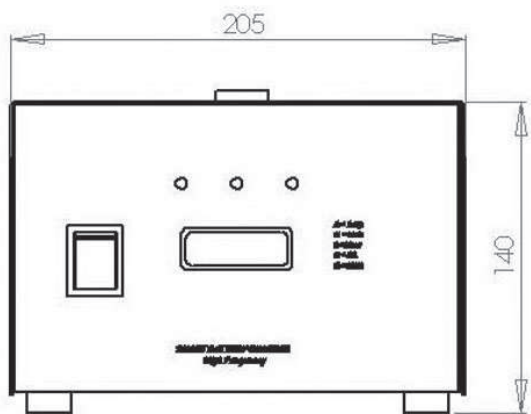
Voltage 12V and 24V selectable

Current from 4A to 12A

Fan less design

APPLICATIONS





DIMENSIONS (LxWxH): 205x255x140 mm – 8.07x10.04x5.51 in

WEIGHT: 5,90-9,60 Kg – 13.01-21.16 lbs

PROTECTION GRADE IP20

INPUT VOLTAGE: 115/240 Vac – 50-60 Hz

Battery Voltage	Battery Range		Charging Current	Model
	5h	20h		
12V	20 ÷ 40 Ah	30 ÷ 50 Ah	4A	12-4
	40 ÷ 80 Ah	60 ÷ 105 Ah	8A	12-8
	60 ÷ 100 Ah	70 ÷ 130 Ah	10A	12-10
	90 ÷ 120 Ah	120 ÷ 160 Ah	12A	12-12
24V	20 ÷ 40 Ah	30 ÷ 50 Ah	4A	24-4
	40 ÷ 80 Ah	60 ÷ 105 Ah	8A	24-8
	60 ÷ 100 Ah	70 ÷ 130 Ah	10A	24-10
	90 ÷ 120 Ah	120 ÷ 160 Ah	12A	24-12